

TT Silent Mixflow Inline Fan

Available Sizes:

150mm
200mm

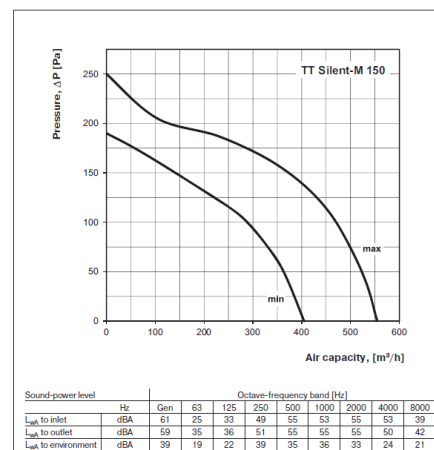
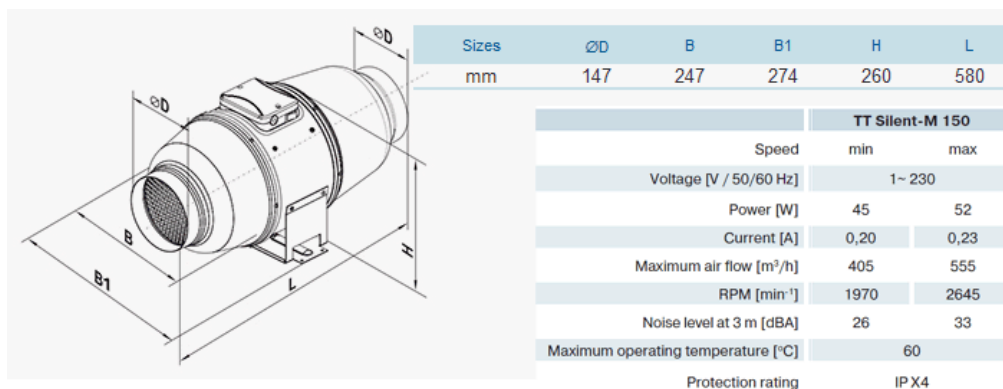


Black

Product Description

The TT Silent Inline fan is a innovative new product designed specifically to operate quietly. With a built in 50mm layer of mineral wool sound insulation this product ensures quiet operation without compromising on performance. The fan has a capacity of 555m³/hr on the highest speed and a dBA rating of only 33. Most fans on the market with a comparable capacity will be around the 50dBA mark!

The fan is a great choice for the noise conscious. View specifications below:



Casing

- ▶ the outer casing is made of black polymer coated steel;
- ▶ heat and sound insulation with 50 mm mineral wool layer;
- ▶ the inner casing perforation let sound waves pass through the holes and fall at a specific angle to the sound-absorbing layer thus providing sound attenuation in a broad frequency band;
- ▶ the inner casing and the impeller are made of high-quality durable ABS plastic;
- ▶ the conic impeller with special blade profiling, the diffuser and the directing vanes at the casing outlet increase air flow speed and provide higher pressure and air capacity as compared to standard axial fans;
- ▶ power supply through the external airtight terminal box on the fan casing;
- ▶ the fan connecting pipes are rubber sealed for airtight connection to the air ducts.

Motor

- ▶ single-phase energy efficient double-speed motor with low energy demand;
- ▶ thermal switches ensure the motor overheating protection;
- ▶ extended motor service life up to 40 000 hrs. due to ball bearings;
- ▶ IPX4 ingress protection rating.

Mounting

- ▶ mounting at any place and at any angle within the ductwork system;
- ▶ several fans in one system: parallel mounting to attain higher air capacity, mounting in series to boost operating pressure;
- ▶ fixing brackets for fastening the fan to the floor, wall or ceiling.

