



INSTALLATION MANUAL

THIS BATHROOM HEATER MUST BE INSTALLED BY A QUALIFIED ELECTRICIAN, AND AN ELECTRICAL SAFETY CERTIFICATE MUST BE ISSUED ON COMPLETION OF THE INSTALLATION

Congratulations on the purchase of your new quality Brilliant Bathroom Heater. Before first using, it is most important that you read and follow the instructions in this Installation Manual, even if you feel you are quite familiar with this type of product.

Find a place and keep this manual handy for future reference.

Model Name: ULTIMO SMART WIFI BATHROOM HEATER		
Code	Colour	Type
21017/05	White	Heat , Fan & Light



IMPORTANT SAFEGUARDS

Read all instructions carefully, even if you feel you are quite familiar with this type of appliance.

When using electrical appliances, in order to reduce the risk of fire, electric shock, and/or injury, these basic safety precautions should always be followed:

1. To prevent electrical shock, please ensure that power is **DISCONNECTED** before installing.
2. Be aware of the height of your installation. Refer to 'Working at Heights ' guide from your local or State Authorities.
3. This product must be used only as described in this manual. Any other use not recommended by the manufacturer may cause fire, electric shock, or injury to persons. If you have questions, contact the supplier or local agent.
4. All wiring must be carried out by a licensed electrician in accordance with all applicable national / local codes and standards. Also check with the local council regulations regarding installation of exhaust fans.
5. When cutting into the ceiling material, care must be taken to ensure you do not damage the existing ceiling structure, existing electrical wiring and other hidden utilities.
6. This appliance is not intended for use by persons (including children) with reduced physical, sensory or mental capabilities, or lack of experience and knowledge, unless they have been given supervision or instruction concerning use of the appliance by a person responsible for their safety.
7. Children should be supervised to ensure that they do not play with the unit.
8. The lamps are extremely hot when in use. Allow all lamps to cool sufficiently before touching or replacement.
9. For the purpose of avoiding any fumes leaking into your bathroom, the duct for the heater must not be laid together with ducts for air-fuelled water heaters or other open-fire appliances.
10. Any alterations or additions to building wiring must be completed by a licensed electrician or person authorised by legislation to work on the fixed wiring of any electrical installation.

IMPORTANT NOTE:

The important safeguards and instructions given in this manual are not meant to cover all possible conditions and situations that may occur. It must be understood that common sense, caution and care are factors which cannot be built into any product. The persons caring for and using the unit must supply these factors.

WARNING:

1. To prevent injury, this apparatus must be installed by a Licensed Electrical Contractor.
2. For indoor use only
3. Please make sure the smart glass switch is not overloaded. Working power cannot be higher than the rated power (2000W).
4. Do not attempt to press touch switch at very high frequencies (faster than one switch per second) as this may result in premature failure.
5. If the switch is used to operate appliances intended for supervised use (eg. heater), ensure that the appliance instructions are followed and the appliance is physically supervised whilst on. Do not allow any cables, furnishings, flammable materials or other items to come in contact with any surface of a heater.



INDOOR USE ONLY

CONTENTS

UNPACKING

- Preparation
- Considerations

INSTALLATION

- Ventilation Requirements
- Clearance Requirements
- Mounting the Heater Unit
- Electrical Wiring
- Operation And Labelling
- Cleaning And Maintenance

TROUBLESHOOTING & SPECIFICATIONS

- Troubleshooting
- Specifications
- Spare Parts / Accessories
- Disposal

WARRANTY

- Details
- Registration

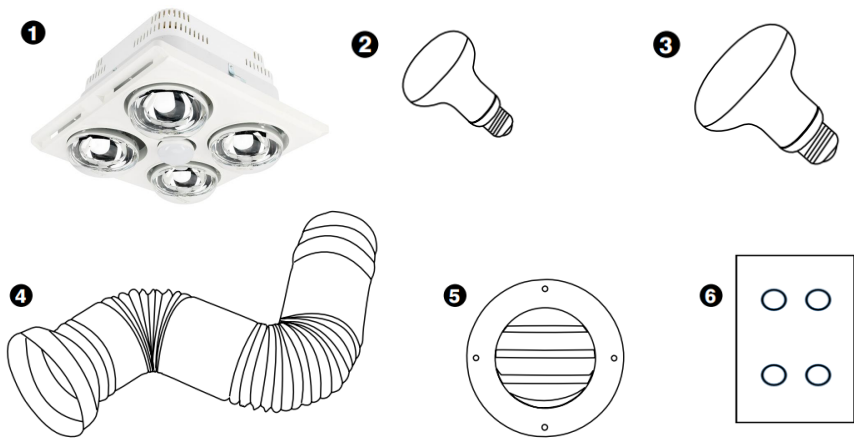
UNPACKING

PREPARATION:

- Unpack your bathroom heater carefully, then remove all parts and components, and lay on a cloth or soft surface to avoid damage.
- Before commencing installation, check that all parts are included. NB: You may need to remove all packaging material to ensure there are no missing components.

Parts List

- | | |
|-------------------------|-----------------------------|
| 1. Bathroom Heater Unit | 4. Ø100mm Duct 1.5m Length |
| 2. 9W R63 LED Globe | 5. Exterior Vent |
| 3. 275W Heat Lamps x 4 | 6. 4 Gang Touch Wall Switch |



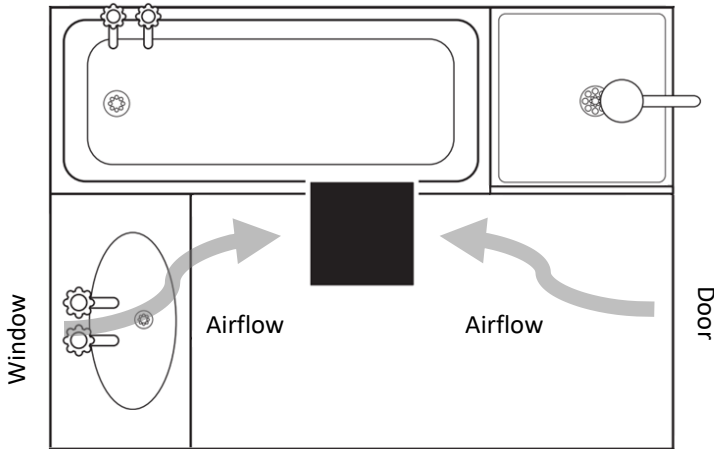
CONSIDERATION:

- Read these instructions carefully before installing & using the product.
- Always operate this product from a power source of the same voltage, frequency and rating as indicated on rating label.
- The Infra-Red lamps are not designed to heat the entire room area, they provide instant heat to persons standing directly underneath them. Install the unit above an area where 'drying off' usually occurs. Because of this, the heater should only be turn ON when you are in the room.
- This product is designed for installation in flat ceilings only. Don't mount on a sloping ceiling or a vertical wall.
- Heater lamps are not designed for extended periods of operation..

INSTALLATION

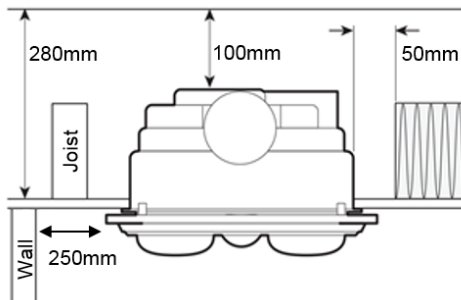
VENTILATION REQUIREMENT:

- For the exhaust fan to work efficiently, replacement air of a volume equivalent to what is being extracted must be able to enter the room.
- Generally, air would be drawn under the door, or through a slightly open window. If the room is airtight, the fan will operate poorly. Air flow path should ideally pass over the steam source.
- It is also essential there is adequate space within the roof cavity so the steam can dissipate.
- If roof cavity is restricted or not well ventilated it is recommended that duct and vent be used to extract steam to an outside area.



CLEARANCE REQUIREMENT:

- This unit must be mounted at least 250mm away from vertical walls.
- A minimum clearance of 100mm is required above the top of the unit.
- Additionally a minimum of 50mm clearance is required between the sides of unit and joists, walls or insulation



INSTALLATION

CAUTION: Before installing the heater, make sure you have turned OFF the electricity supply.

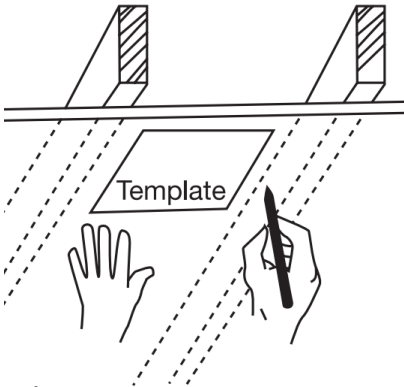


Diagram 1

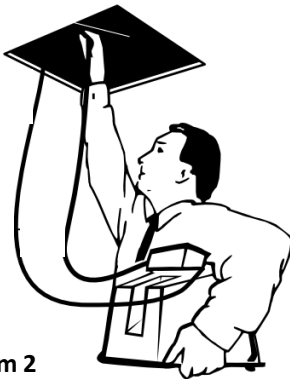


Diagram 2

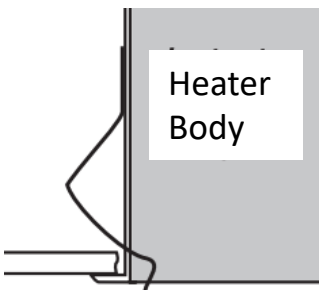


Diagram 3

MOUNTING THE HEATER UNIT

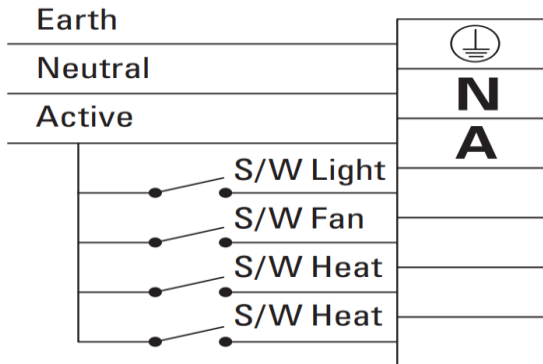
1. This unit must be mounted at least 2.1 metres above the floor and at least 250mm away from vertical walls.
2. Remove the heat globes from the unit to prevent breakages.
3. Remove the grille by releasing 4 springs in each corner of the unit.
4. Ensure area behind the installation location is clear of all cables, pipes, joists or hidden utilities.
5. Use the template provided to mark and cut a hole in the ceiling as per Diagram 1 (Refer specifications for hole size).
6. Remove rear terminal cover and connect wires as per wiring diagram on page 3. Refit terminal cover.
7. Push the unit into the ceiling hole ensuring inbuilt push springs hold unit securely in place (Diagram 2 and Diagram 3).
8. Additional screws can be applied around the metal flange plate to hold the unit to the ceiling.
9. Secure grille with springs and insert lamps.
10. Attach ducting if required to extract the air to the outer wall using 1.5 long flexible ducting, clamps and vent outlet grille provided. Fix and tighten the clamps firmly to hold the flexible duct to the unit and the outer wall vent.
11. Ensure that the flexible duct, when connected to the unit doesn't obstruct or block the anti-draft stopper, as it would reduce the overall airflow.
12. For the 4 Gang Touch Wall Switch installation, please refer to the separate instruction manual found together with the unit.

INSTALLATION

CAUTION: Before installing the heater, make sure you have turned OFF the electricity supply.

ELECTRICAL WIRING:

- The unit requires 'permanent active'. The fitting is fitted with a thermal cut-out which will turn the motor (FAN) 'ON' when the internal temperature exceeds 80°C.
- Double pole disconnecting device must be fitted in the circuit.
- Ensure the power is switched "OFF" at the mains before commencing installation.
- Remove the cover on the back of the enclosure to access the terminals.
- Connect wires as per electrical wiring diagram and markings adjacent to terminal block.
- Re-fit the cover removed earlier



OPERATION & LABELLING:

- This unit uses Infrared heating lamps as a heat source. It also has an exhaust fan and an LED light. Use the provided sticker to label each switch with the corresponding sticker. When main power is turned on all the 4 switches will light up in RED colour (Lights & Fan remain OFF mode). When the switch is turned on the indication light will turn to BLUE colour.

CLEANING & MAINTENANCE

1. Switch off the power before commencing cleaning and wait until the globes cool down.
2. Regularly wipe globes and front fascia with soft cloth soaked with water or neutral detergent if required.
3. Clean the exhaust fan from dust and dirt with dry or wet cloth if required.
4. Clean the exhaust ducting kit and ensure airways are clean and there are no obstructions at the exit from the wall

TROUBLESHOOTING & SPECIFICATIONS

PROBLEM	PROBABLE CAUSE	SUGGESTED REMEDY
Heater not function	A Fuse or circuit breaker has blown.	A Check main and branch circuit breakers
	B Loose wire connections.	B Check line wire connections.
	C Wrong wiring connection.	C Make sure wiring is correct.
	D Power not turn ON.	D Turn ON power at the switch or main.

SPECIFICATIONS

Model No :	21017/05 (4 Heat Lamps)
Fascia colour :	White
Rating :	240V, 50Hz, 1144W
Heat Lamps :	240VAC, R125, E27, 275W
LED Lamp :	9W, 860lm, Cool White, Non dimmable
Airflow :	240m ³ /h (at exit point from the unit)
Cut out hole size :	295mm x 295mm
Dimensions :	370mm L x 370mm W x 175mm H
Noise :	45~50dB
IP rating :	IPX2
Weight :	3.03kg

SPARE PARTS & ACCESSORIES

PARTS	DESCRIPTION	MODEL CODE
HEAT LAMP	275W R125 HARD GLASS IR	18782
LED GLOBE	9W R63 4000K	20374
LED GLOBE	9W R63 3000K	20426
TOUCH WALL CONTROL	4 GANG GLASS TOUCH CONTROLLER	21017SP054

DISPOSAL

Please dispose of this product thoughtfully once it has passed its useful life.

When your heater comes to the end of its life or you choose to update or upgrade it, please do not dispose of it with your normal household waste. Please recycle where facilities exist.

When disposing of this product, check with your local authority for suitable options.

WARRANTY

Please note, this warranty voids any other warranties supplied with this product and complies with the new consumer guarantee requirements.

WARRANTY:

The benefits conferred by this warranty are in addition to all implied warranties, other rights and remedies in respect of the product, which the consumer has under Australian Consumer Law.

The original purchaser of this Brilliant Bathroom Heater is provided with the following warranty subject to the Brilliant Warranty terms and conditions as found on the Brilliant website and the following conditions.

Brilliant Lighting (Aust) Pty Ltd warrants this heater for a period of 3 years from the date of purchase. All parts deemed defective in workmanship or materials will be replaced free of charge. Heat lamps and Light fittings are subject to Limited warranty status


PRODUCT	TOTAL WARRANTY PERIOD
Bathroom Heater unit	3 YEARS
Wall Controller	3 YEARS
Heat Lamps	2 YEARS
Light Fittings	2 YEARS

This warranty is in addition to any other rights and remedies of the customer under any law. In applications not intended for household, personal or domestic use, liability is limited to replacement or reimbursement of product only.

The warranty does not cover faults due to poor installation or failure to follow as per instructions.

Our goods come with guarantees that cannot be excluded under the Australian Consumer Law. You are entitled to a replacement or refund for a major failure and compensation for any other reasonably foreseeable loss or damage. You are also entitled to have the goods repaired or replaced if goods fail to be of acceptable quality and the failure does not amount to a major failure.

Any claim under this warranty must be made within 3 years of the date of purchase of the product. To make a warranty claim please refer to the Warranty Claim Form on the Brilliant Website: www.brilliantlighting.com.au

<p>WARRANTY REGISTRATION</p> <p>Register your product, to ensure you protect your purchase with hassle free warranty and technical support. Ask our experts for advice and learn about new products before they are released.</p> <p>Scan the QR code to register your product to be part of our Customer Care Program.</p>	
--	---

This warranty is given by:

Brilliant Lighting (Aust) Pty. Ltd.

ABN 37 006 203 694

956 Stud Road Rowville, VIC 3178

Phone: 03 9765 2555

Email: warranty@brilliantlighting.com.au

MADE IN CHINA

