

PureAir Room 260X

User & Operating Instructions



Model No:

FAN7450 PureAir Room 260X

DCT4615 PureAir Room 260X
Replacement Filter Set

For more information regarding the PureAir Room
260X and Replacement Filter please visit:
www.ventair.com.au

220-240V~50Hz

Vent-Axia®

CE UK
CA

We spend more than 90% of our time indoors breathing up to 50 times more polluted air than outdoors which may contain over 900 chemicals, particulate and biological materials. Each of us breaths 9000 litres of air each day and poor indoor air quality effects the health of everyone in your home.

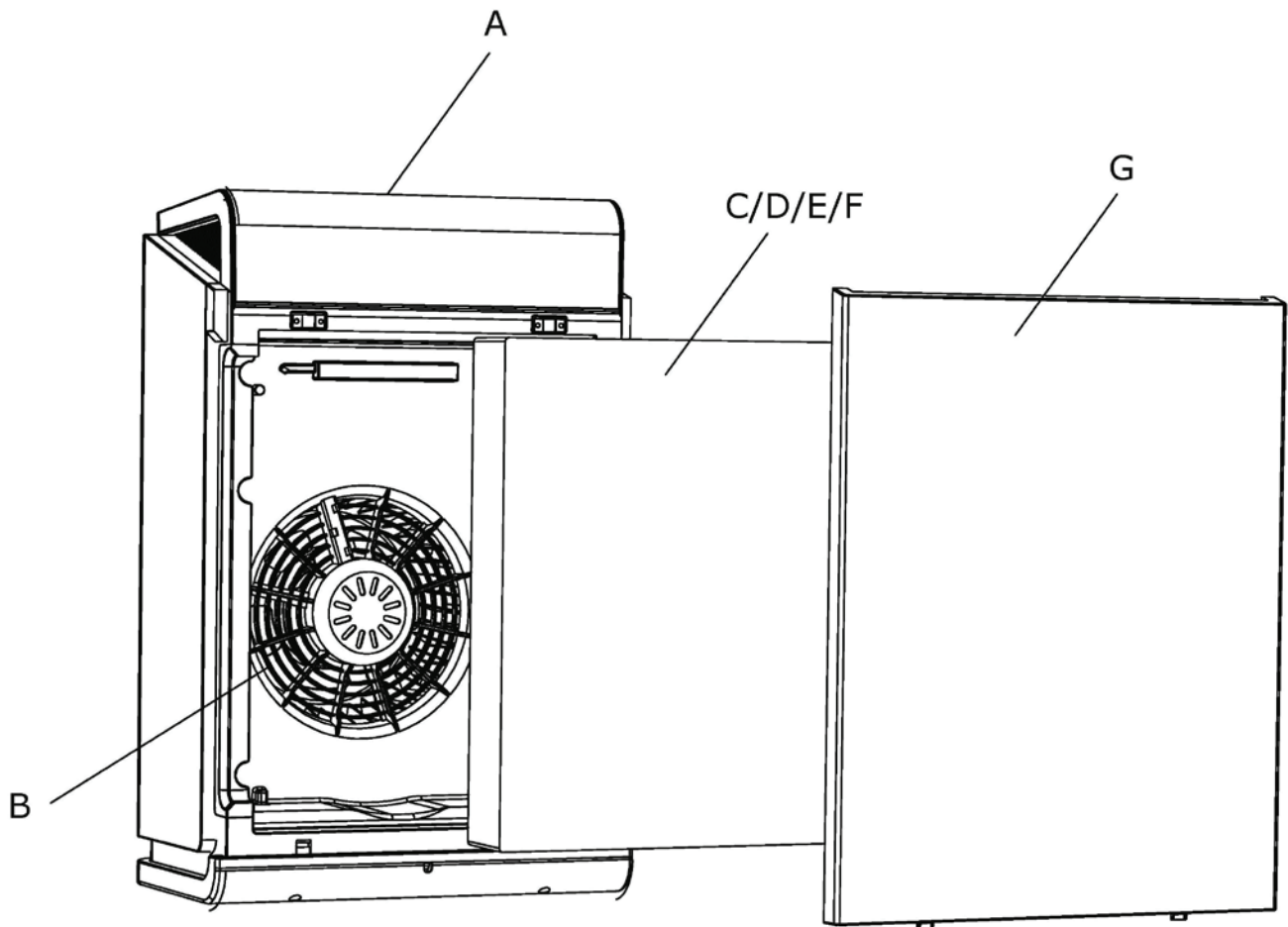
The PureAir Room 260X is an advanced multi stage air cleaning system which removes these harmful particles and neutralises bad smells, purifying the air you and your family breathe for a fresher and healthier indoor environment.

After unpacking the appliance, check for any transport damage and the contents for completeness. In the event of damage or an incomplete delivery, contact Ventair.

Dispose of the packaging material in a proper manner. Packaging materials should be kept away from children!

PureAir Room 260X Residential Air Purifier unit

- A. - Display Panel
- B. - Fan impeller
- C/D/E/F. - Prefilter/HEPA-filter/Active Carbon/cold catalyst
- G. - Back Panel



Warning:

Please read all instructions carefully before commissioning. Failure to follow these instructions may result in electric shock, fire and/or serious injury. Keep all these instructions for the future.

Do not open the device until the mains plug has been disconnected from the mains socket. Risk of death due to electric shock! All repairs should only be carried out by a suitably qualified person.

Safety instructions

- Ensure that the mains supply (Voltage, Frequency, and phase) Complies with the product rating label.
- Check the mains plug before plugging in.
- When not in use, unplug the appliance from the wall outlet.
- Do not insert any objects into the air inlets and outlets of the unit. It may cause a short circuit. Special care must be taken when operating the device within the reach of children.
- Use the ON/OFF switch to turn the unit on and off. Never use the plug to switch the unit "on and off".
- Before changing the device Filter, switch it off and unplug from the wall.
- Never attempt to clean the air inlets or outlets with sharp objects.
- Never immerse the appliance in water.
- Never spray flammable liquids into the device.
- Never operate the appliance in a damp room (e.g. bathroom). Danger of electric shock.
- Never use hairsprays, thinners or flammable gases in the vicinity of the device, as there is a risk of fire and explosion.
- If candles or gas ovens are used in the same room during operation, open the window occasionally.
- Never cover the air inlet or outlet. This can destroy the motor on the fan assembly.
- Never operate the device near heat sources such as heaters, open fires or direct sunlight. The plastic parts can be deformed.
- The unit does not serve as a fan replacement. This considerably shortens the service life of the filter.
- The device must not be used in an environment containing high levels of dust or chlorine.
- Do not place heavy objects on the unit and keep it out of the reach of children.
- The device must not be used in closed and narrow rooms.

- If the supply power cord is damaged, stop operation and get it replaced by a suitably qualified person/service engineer.
- If the device is defective, switch off the mains switch and disconnect it.
- To avoid interference, do not operate the equipment near microwaves, television sets, or other electrical equipment. A distance of at least two metres is recommended.
- The device may only be operated by persons who are physically and mentally capable of correct operation in accordance with these operating instructions, or who have been instructed on this device by a responsible person.
- Never operate the device with wet hands.
- Do not attempt to repair or make any other adjustments, both electrical and mechanical, to the unit yourself.
- Do not let children play with the packaging, such as plastic films.
- Ensure a minimum distance of at least 10cm between the unit and the nearest wall.
- Always switch off and disconnect the unit before removing or cleaning the filter.
- Only use the device indoors with good air circulation.
- Keep sufficient distance from curtains, drapes or other easily movable objects.
- Do not place the unit on an uneven, sloping or moving surface to prevent it from tipping over or falling to the ground

The air purifier is only intended for air cleaning of privately used rooms (e.g. living rooms, bedrooms, studies or storage rooms). The user must comply with the specified operating parameters of these instructions.

The machine may only be used for its intended purpose. Any further use beyond this is not intended. The user/operator and not the manufacturer shall be liable for any damage or injury of any kind resulting is the misuse of this product.

Air cleaners are only suitable for occasional use within kitchens, as oils and fats in the air as well as increased air pollution can very quickly clog up the filters.

Technical data

Product names:	PureAir Room 260X (FAN7450)
Voltage/Frequency:	220-240V ~ 50/60Hz
Rated power:	60W
Air flow rate:	260m ³ /h
Timer (hours):	1-8
Weight:	5,8 kg
Dimensions (W*D*H):	350*230*550 mm
Room size:	30m ²
Noise emission:	≤45dB(A)

Control Panel



Display Indicators

	PM2.5 Indicator		Filter Life Indicator
	Timer		Speed
	Auto mode		UV and Ion Display
	WiFi Connecting Display		Sleep mode
	Lock		



Before commissioning

Remove the filter elements from the device, remove the protective covers and re insert them back into the device. Follow the steps in the section "Filter change". The main filter should normally be changed every 6-9 months depending on the environment. The order of the filters is marked with the numbers 1-3 on the filter flaps, the filter marked 1 should be located nearest to the outside of the unit.

For replacement filters online

<https://www.ventair.com.au> to find your nearest stockist: PureAir Room 260X Replacement filter Model No: DCT4615

Commissioning

1. Connecting the unit to the power supply.

When you first plug in the air purifier, the unit will make a sound.
Caution: Never insert or remove the plug with wet hands.

2. POWER

The power button is used to turn the unit on and off.

3. AUTO

If you use the unit in automatic mode, the fan is controlled via the air quality sensor. In addition, the current air quality is shown on the display as follows:-

Air Quality	PM2.5($\mu\text{g}/\text{m}^3$)	Display	Fan Stage
Good	10-60	Lights up Green	1
Needs Improving	61-150	Glows Orange	2
Bad	151-300	Glows Red	3

4. Timer


With the timer you can set the running time of the device.
You can select between 1 and 8 hours.

5. ION/UV

Press button to turn on/off the ION function as well as sterilization when the unit is in Normal or Auto mode.

6. Renew

- Press the "ION" and "Timer" button and the display will show the cumulated purify time ;If you press and hold both buttons for 3 seconds, the cumulated purify time will restart from "0" .

7.  **Sleep**

In this mode, the device operates at the lowest fan speed for minimal noise. With the exception of the Sleep display and Parental Lock, all displays go out. To exit Sleep mode, press either Sleep or Speed button.

8.  **Speed**

Press speed button to control the speed from 1 to 3 when it is under Normal mode. The adjusted fan level is shown via the bars on the display.

9.  **Child safety lock**

Press and hold the “speed” and “Auto Button” for 3 seconds to lock and unlock the display.

10. **WiFi (Available on PureAir Room 260X Model No: FAN7450)**

Press and hold the “sleep” and “timer” button for 3 seconds. This will activate the WiFi connection.

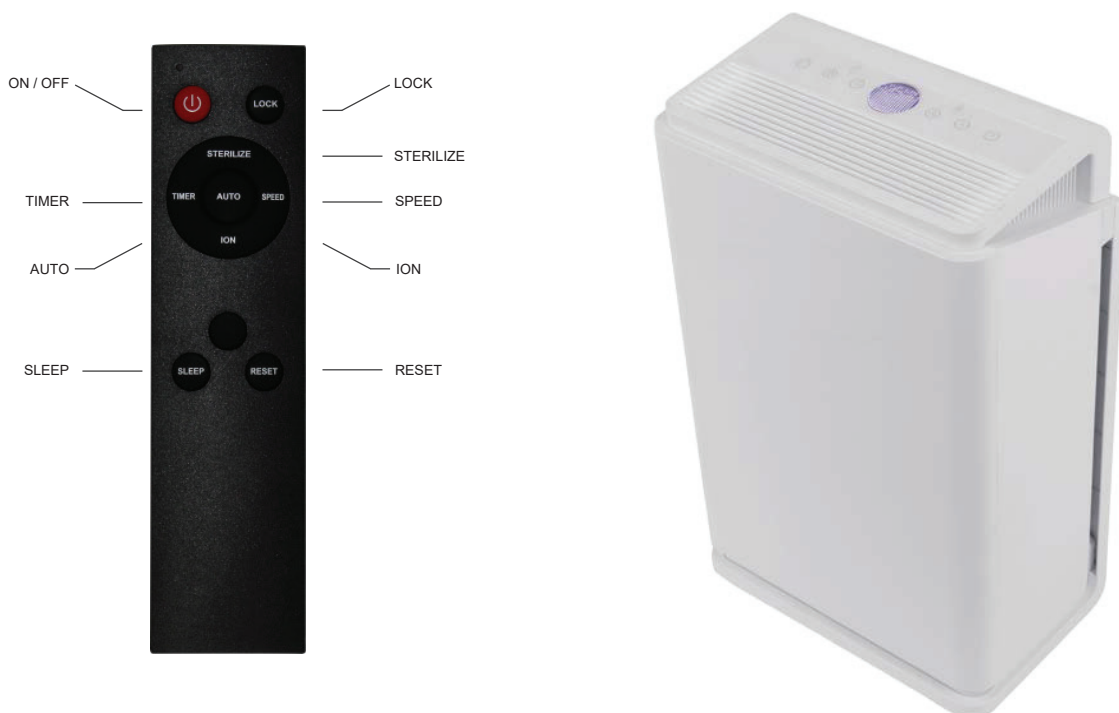
See section Controlling your PureAir Room 260X via App and Smartphone.

11. **Remote Controller**

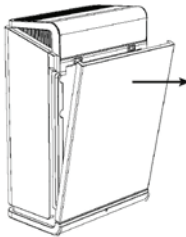
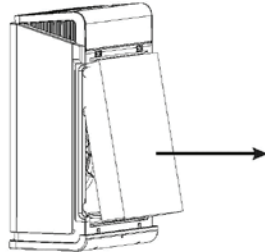
Press the buttons shown on the handset for the respective function.

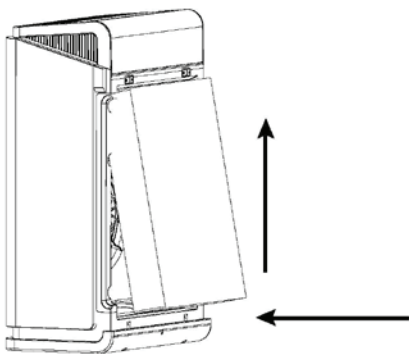
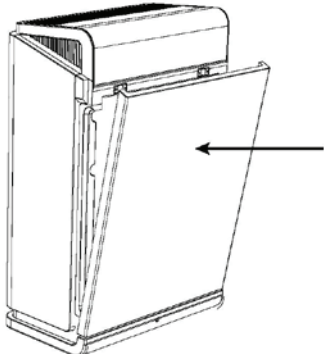
(Batteries are not provided). **Controller uses 2 X AAA LR03 Batteries**

When using the remote controller point it directly at the air purifier.



Filter change

Filter replacement		
1	Please ensure the product is switched off and unplugged before opening up the unit for filter replacement.	
2	Hold the unit and remove the back panel as shown (Magnetic fastening).	
3	Pull the middle textile strap outwards to carefully pullout the filter (Prefilter / HEPA-filter/Active-carbon-filter/cold-catalyst-filter).	 <p style="text-align: center;">Pull the textile strap in the middle of the combination filter</p>

Insert the replacement filter / front panel assembly		
1	Please make sure the correct sequence is used when inserting the new filters.	
2	Insert the new filter (Prefilter, HEPA, Active Carbon, Cold Catalyst) placing the top part in first and push slightly up and in as shown in diagram.	
3	Position the back panel on the fixings in the main frame. Press the back cover slightly inwards so that the cover snaps into place - see diagram. Make sure the back cover is tightly closed.	

Controlling your PureAir Room 260X via App and Smartphone

Relates to PureAir Room 260X Model No: FAN7450

- 1. Download the “SmartLife” App and install into the users smartphone.**
- 2. Select “Add Manually”-->”small home appliances”--->”air purifier”.**
- 3. Fill in ID and password of available wireless network.
The users smartphone and the device must be on the same wireless network.**
- 4. Press the buttons of “Sleep” and “Timer” together for 3 seconds, then WiFi connection icon will show up on the control panel on the unit.**
- 5. Confirm the indicator is blinking slowly.**
- 6. Choose “SmartLife-XXXX” and then connect
(XXXX will vary but should appear at the top of the list).**
- 7. Return back to the adding device interface and wait until connection is complete
(You will hear a beep once connection is complete).**
- 8. You can now control your PureAir Room 260X unit via your smartphone.**

Scan the QR code
To Download the “SmartLife”
App.



Further information

6 Stage Advanced Filtration system:

1 Pre Filter

The pre-filter is a washable coarse particle filter which collects the larger particles from the air flowing through it. This process additionally protects the HEPA filter element from these particles and thus increases the service life of the following filter elements.

2 HEPA filters

The "High-Efficiency Particulate Air" Filter removes 99.9% of particles in the air including PM 2.5, Pet Allergens, Pollen, Viruses, Mould and Bacteria by trapping them inside the filter material.

3 Activated carbon filter

Activated carbon has a huge surface area which removes volatile organic compounds (VOCs), odours, and other gaseous pollutants from the air by trapping the gas molecules in the charcoal.

4 Cold catalyst

The Cold catalyst speeds up the decomposition of organic compounds in the air, breaking them into molecules such as H₂O and CO₂ which are harmless to the human body.

5 Ultraviolet light

The ultraviolet light attacks bacteria and viruses sanitising the air.

6 Ionizer

The Ionizer is the last stage of the filtration process, generating negatively charged ions which adhere to small particulate statically charging them which attract other particles creating larger clusters, which can then be absorbed by the filter medium at the start of the cycle.

Troubleshooting

Turn off the unit immediately and contact a service engineer if any of the following problems occur:

- Fuse's blown.
- Foreign material gets into the device.
- The plug or power cord heats up.

Do not open the unit without authorized service personnel. However, you can check the following causes of faults yourself:

The device cannot be switched on:

- Is the plug inserted correctly?
- Has the fuse blown or is there no voltage at the socket?
- Is the front cover fitted correctly?

The air flow at the outlet opening is lower:

- Is the filter too dirty or clogged?

The device is disproportionately loud:

- Does the device stand on an uneven surface?
- Is the filter unpacked?
- Is the filter too dirty or clogged?

Remote control does not work:

- Replace the batteries. (2 X AAA LR03)

Smoke and odours are filtered very poorly.

- Are the filters inserted in the correct order?
- Are the filters unpacked?
- Do the filters have to be replaced?

Notes on air cleaning for cigarette smoke

Cigarette smoke consists of numerous complex chemical compounds. For the air purifier, it is essentially divided into solid components of smoke and gaseous components of smoke. The solid smoke particles are filtered out by the HEPA filter. The gaseous components are partly absorbed by the activated carbon filter and partly degraded by the photocatalytic filter.

- The device should be placed as close as possible to the smoke source.
- The unit should not be placed on the floor (for smokers it is recommended to place it on a table).
- Depending on how many cigarettes are smoked, the service life of the filter will be shortened.

Information on air cleaning in case of problems with pollen

The air purifier is able to filter all common pollen from the air. These remain in the HEPA filter. In order for the device to be fully effective and to significantly reduce the pollen concentration, we recommend the creation of a refuge in which the air purifier is located. The device can only remove airborne allergens. But not allergens that have already deposited on beds, walls, furniture, etc..

For this reason, please observe the following instructions:

- Carry out a basic cleaning of the room before using the device.
- Do not use dust cloths for cleaning, but a damp cloth.
- Vacuum upholstered furniture at least once a week. Use a vacuum cleaner suitable for allergy sufferers.
- Wipe the room wet at least once a week.
- During the day, let the unit run at level 1. Place the device on a table. Don't put it on the floor.
- Turn off the device for sleeping.
- Set the fan to level 3 during ventilation. The best time to air the rooms is between 6:00 and 8:00 in the morning in cities or from 19:00 in rural areas.

Information on air cleaning in case of problems with house dust

House dust is usually generated by mites living in upholstered furniture, pillows, blankets and mattresses. The house dust remains there for the time being. The air purifier can only remove house dust from the air. It is therefore advisable to turn off sources of house dust before using an air purifier.

- Cover mattresses allergen-proof (Encasing).
- Cover pillow and duvet allergen-tight.
- Wash pillows and duvets frequently.
- Replace older mattresses.
- Use vacuum cleaner with fine filter.
- Vacuum mattresses monthly.
- Avoid dust traps in the bedroom.
- Do not place indoor plants in the bedroom



This product must **not be disposed of with household waste**. This air purifier must be disposed of at a recycling point for electronic and electrical equipment.

ventair[™]
THE AIR MOVEMENT SPECIALISTS

4 Capital Place, Carrum Downs, 3201, VIC, Australia
Phone: (03) 9775 0556
Email: info@ventair.com.au

www.ventair.com.au

As part of the policy of continuous product improvement Ventair reserves the right to alter specifications without notice. The unit comes with a 2 year warranty* - *2 year warranty Excludes filter. See www.ventair.com.au for full warranty details.